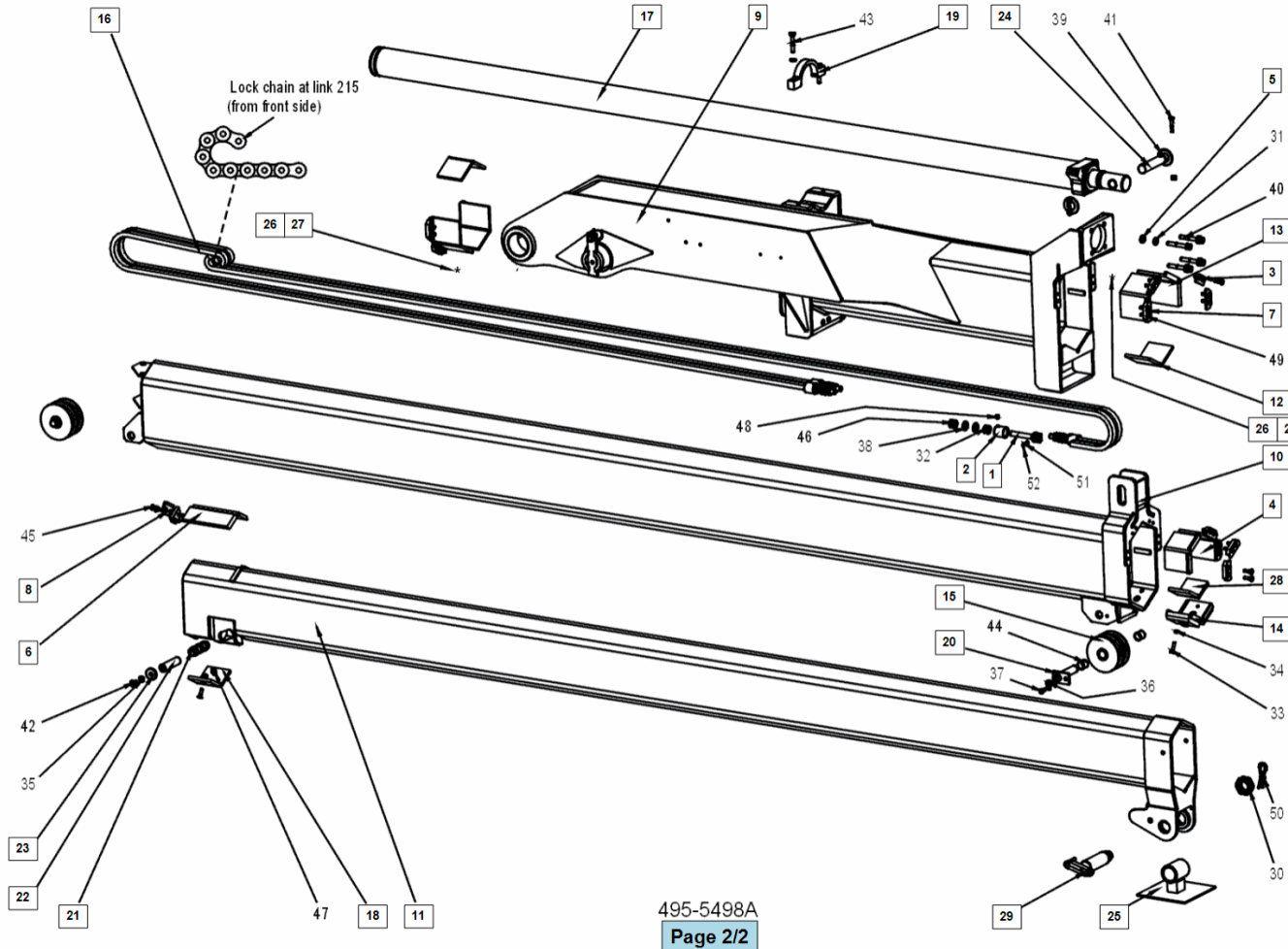


Model:166 K
Chapter 4 Boom

4955498
2nd boom cpl. (Page 1/2)

4955498 - 2nd boom cpl. (Page 1/2)

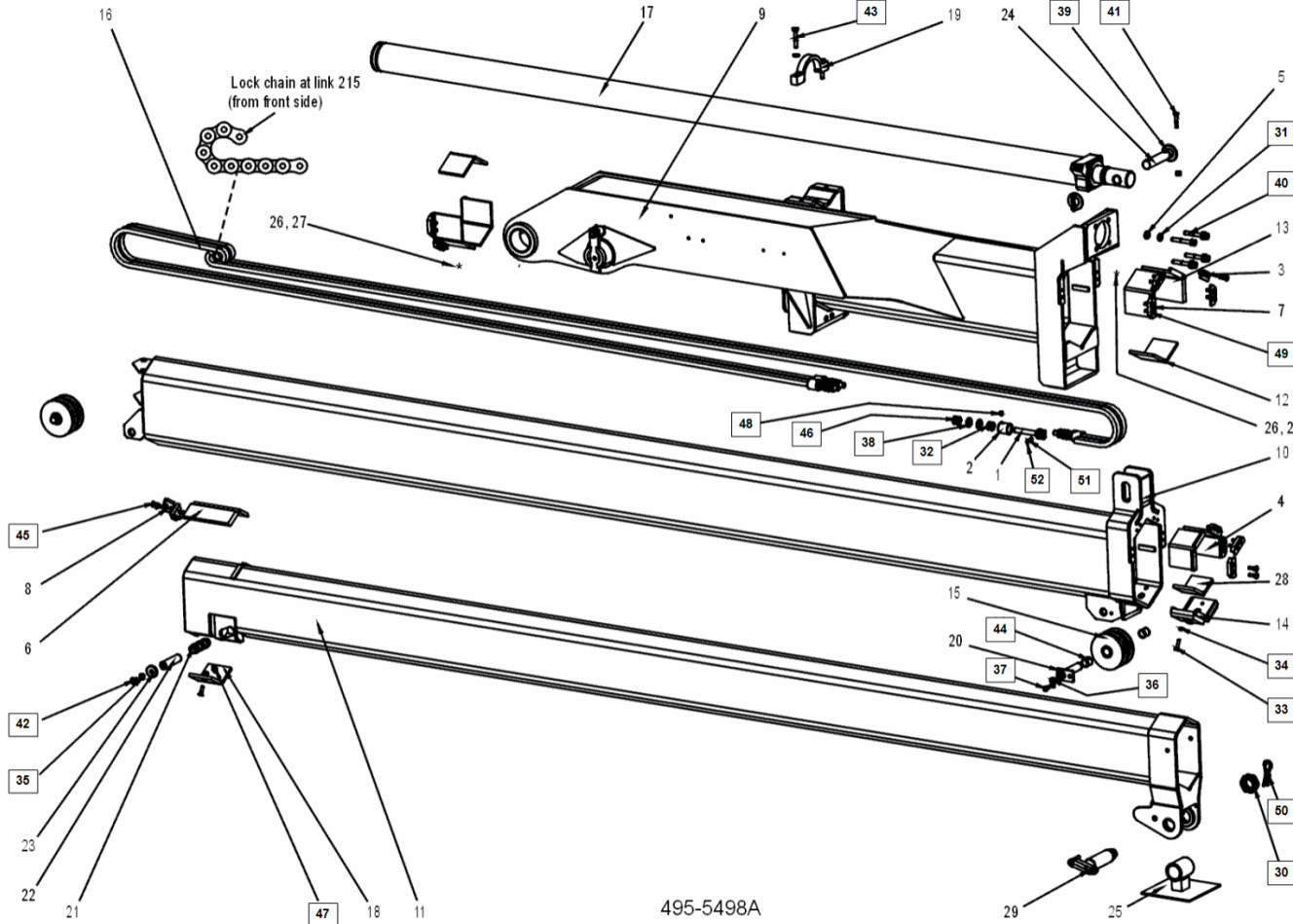


Pos	Part No	Description	Quantity
1	3467759	CHAIN TENSIONER	4
2	3470717	SLEEVE for chain tensioner	4
3	3626024	STOP	2
4	3626075	SLIDE PAD	2
5	3633730	WASHER	4
6	3634671	SLIDE PAD	1
7	3634698	STOP	10
8	3634701	STOP	2
9	4954980	SECOND BOOM	1
10	4955170	EXTENSION BOOM	1
11	4955315	EXTENSION BOOM	1
12	4955340	SLIDE PAD	2
13	4955358	SLIDE PAD	4
14	4955366	FILLER BLOCK CPL.	2
15	4955382	CHAIN ROLLER	2
16	4955404	CHAIN	2
17	4955757	EXTENSION CYLINDER	1
18	4955773	SLIDE PAD	1
19	8153221	LOCKING PLATE	1
20	8153396	SHAFT CPL.	2
21	8153426	SHAFT	1
22	8153434	SHAFT	1
23	8153442	LOCKING RING	2
24	8153451	SHAFT	1
25	8158541	TRANSPORT SUPPORT CPL.	1
26	8163022	SHIM	6
27	8163031	SHIM	6
28	8166269	SLIDE PAD	1
29	8494312	QUICK RELEASE PIN	1

Model:166 K
Chapter 4 2nd boom cpl. (Page 1/2)

4955498@2
2nd boom cpl. (Page 2/2)

4955498@2 - 2nd boom cpl. (Page 2/2)

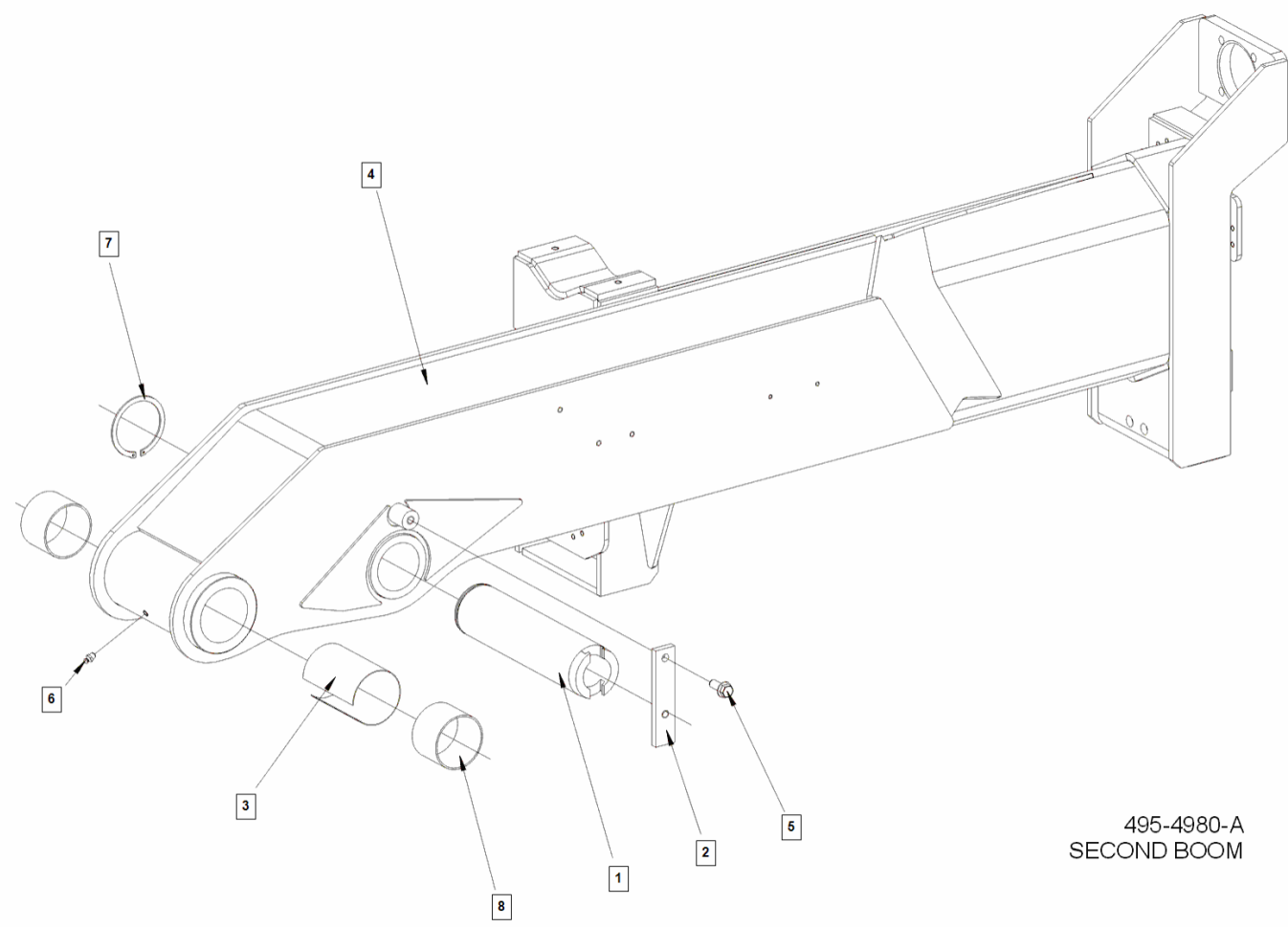


Page 1/2

Pos	Part No	Description	Quantity
30	8563870	NUT	1
31	9832611	WASHER	4
32	9900071	NUT	4
33	9900438	SCREW	2
34	9904131	SPRING WASHER	4
35	9904140	SPRING WASHER	4
36	9906185	GREASE NIPPLE	2
37	9906878	SCREW	2
38	9910565	WASHER	8
39	9914161	WASHER	2
40	9922750	SCREW	4
41	9924086	SCREW	2
42	9924191	SCREW	2
43	9924230	SCREW	2
44	9937412	BUSHING	4
45	9955542	SCREW	4
46	9964487	LOCKING NUT	4
47	9965823	LOCKING NUT	4
48	9969144	ADJUSTMENT SCREW	4
49	9973371	SCREW	26
50	9975501	LOCKING PIN	1
51	9982281	PIN	4
52	9906860	COTTER PIN	8

Model:166 K
Chapter 4 2nd boom cpl. (Page 1/2)

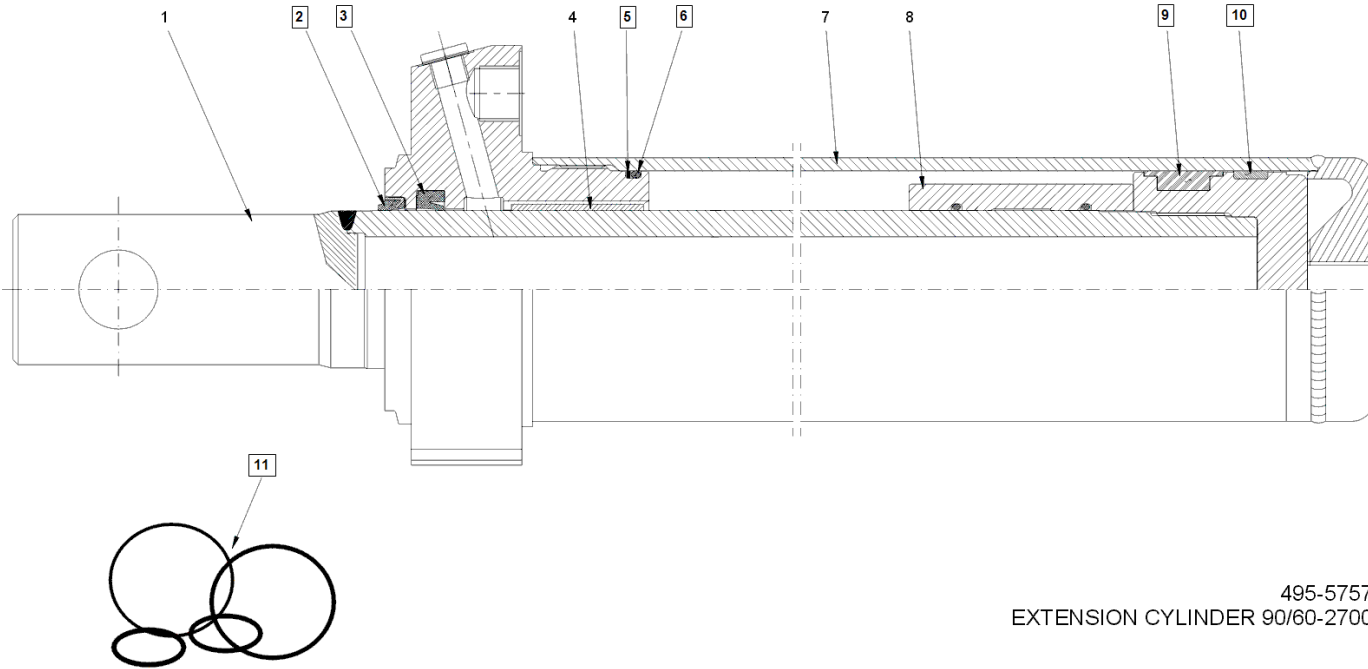
4954980
2nd boom

4954980 - 2nd boom				
	Pos	Part No	Description	Quantity
 <p style="margin-top: 20px;">495-4980-A SECOND BOOM</p>	1	3708322	SHAFT	1
	2	3719375	SECURING PLATE	1
	3	4954815	SPACING TUBE	1
	4	4954947	SECOND ARM WELDED	1
	5	8460736	SELF LOCKING HEX. BOLT	2
	6	9906185	GREASE NIPPLE	1
	7	9907777	RETAINING RING	1
	8	9971084	BUSHING	2

Model:166 K
Chapter 4 2nd boom cpl. (Page 1/2)

4955757
Extension cylinder 90/60-2700

4955757 - Extension cylinder 90/60-2700



Pos	Part No	Description	Quantity
11	4973950	SEALING KIT	1
Kit 4973950 SEALING KIT:			
2	9515623	SCRAPER	1
3	9519190	SEAL	1
5	8635030	SUPPORT RING	1
6	8639922	O-RING	1
9	9601045	PISTON SEAL	1
10	9968059	GUIDE RING	1